



# Electronic Service Manuals

This electronic document is provided as a service to our customers. We do not create the contents of the information contained in this document. Should you have detailed questions pertaining to the information contained in this document, you may contact Michco, or the manufacturer which provided the original information in this electronic deliverable. Michco's only part in this electronic deliverable was the electronic assembly process.

You may contact Michco through the following methods:  
Phone (517) 484-9312 or (800) 331-3339 MI, OH, IN only  
2011 N. High St. -- Lansing, Michigan -- 48906  
Fax: (517) 484-9836  
Email: [CustServ@Michco.com](mailto:CustServ@Michco.com)  
Web site: [www.Michco.Com](http://www.Michco.Com)  
Parts Web site: [www.FloorMachineParts.Com](http://www.FloorMachineParts.Com)

Order Parts on Line at:  
**[www.FloorMachineParts.Com](http://www.FloorMachineParts.Com)**

Directly to Parts & Service:  
By Email: **[Shop@Michco.com](mailto:Shop@Michco.com)**  
By Fax: (517) 702-2041  
By Voice: Use numbers above.

**Serving the Cleaning Industry Since 1922**

Notice: All copyrighted material remains property of original owners, all trademarks are property of respective owners. Manuals are subject to Manufacturer's reproduction limitations. Originals or reproductions were provided by manufacturers through a request. We make no warranty as to the correctness of information provided in this document and you assume all risk.

# CONVERTAMATIC 17B, 20B, 20E

MODELS 386200, 386002, 386000, 386008

THIS PARTS LIST IS FOR MACHINES  
AFTER SERIAL NUMBER 309688

# PARTS LIST



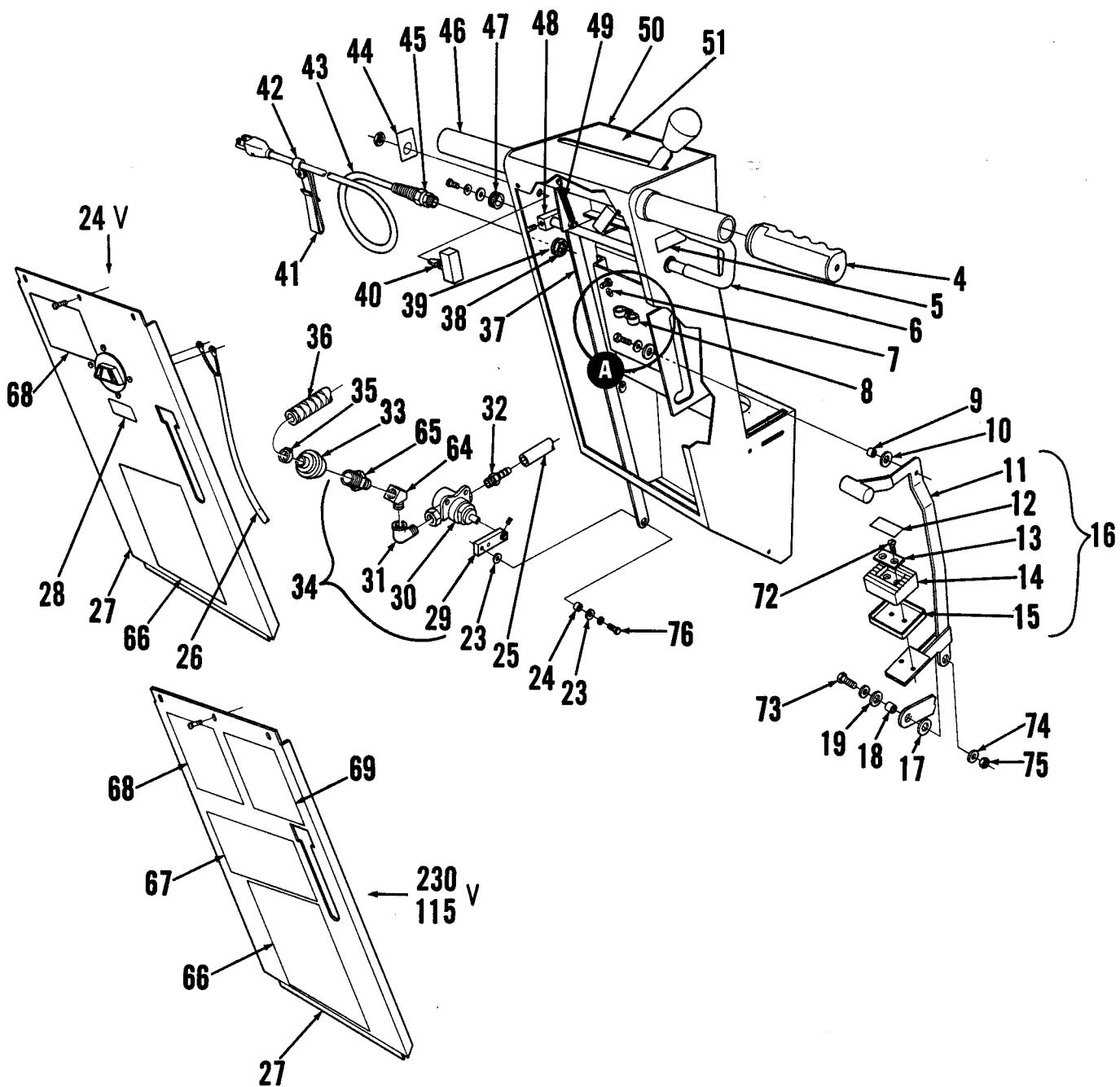
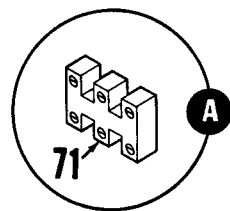
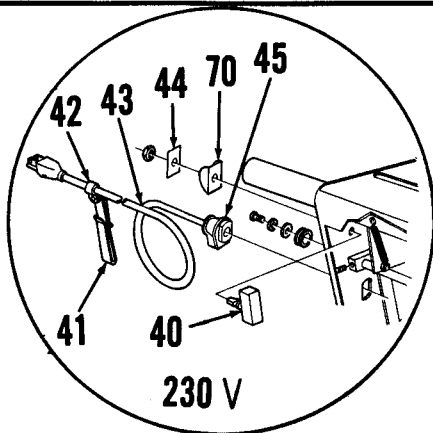
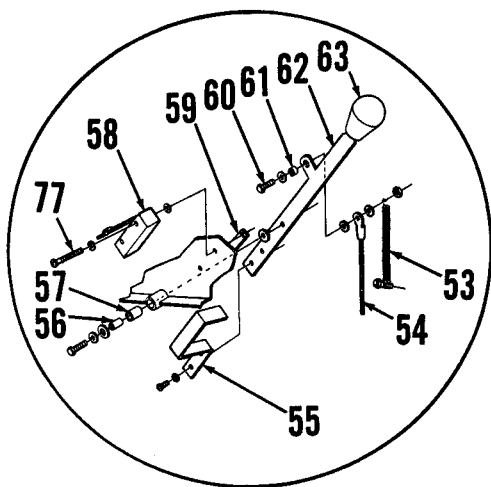
**ADVANCE**  
MACHINE COMPANY<sup>®</sup>

INTERNATIONAL HEADQUARTERS, Plymouth, MN 55447-3408  
EUROPE, Llantrisant, Pontyclun, Mid-Glamorgan CF7 8YZ Wales, United Kingdom  
CANADA, 1295 Crestlawn Drive, Mississauga, Ontario L4W 1A9



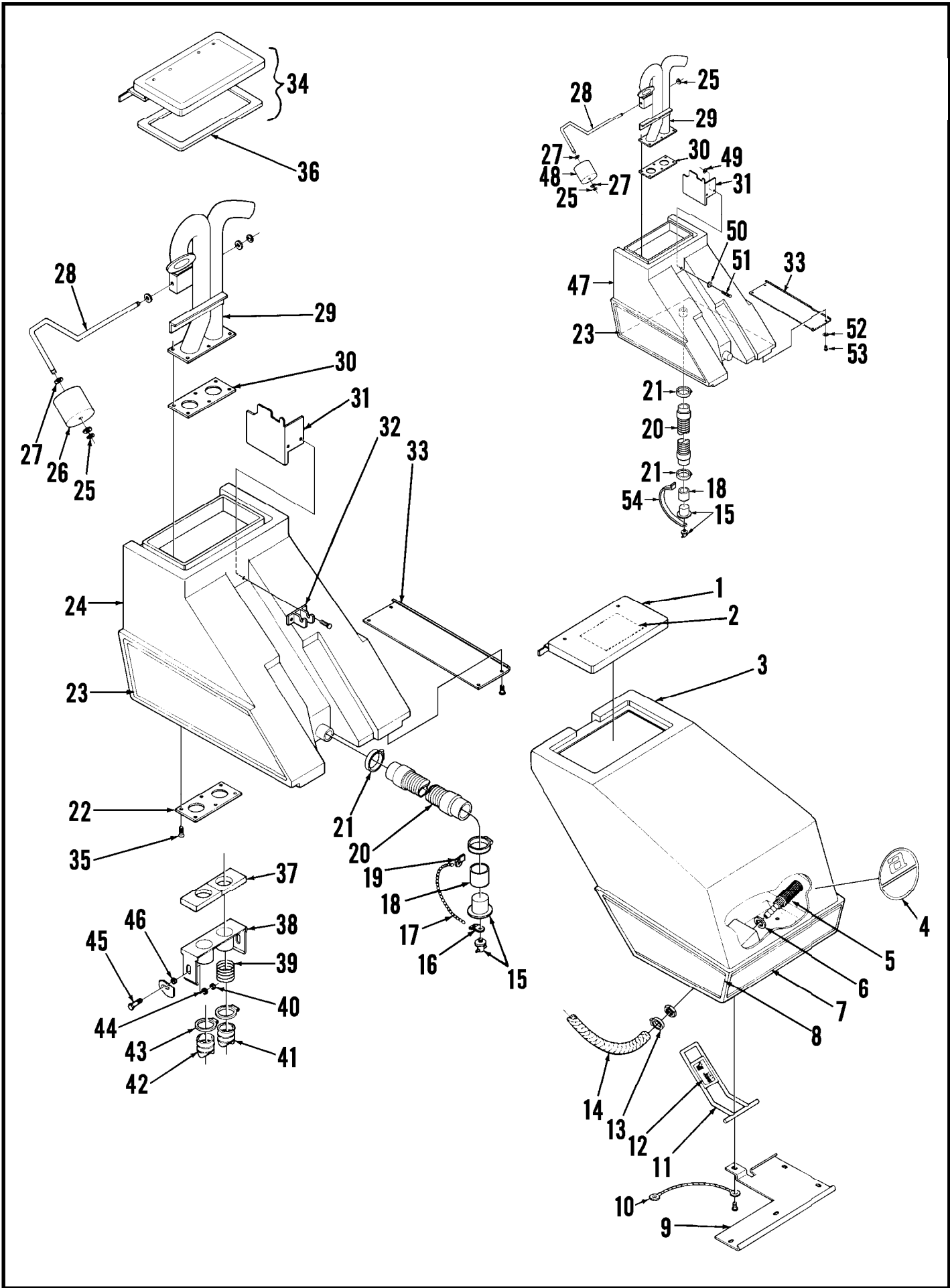
## Index for Form Number 042209

<b>Description</b>	<b>Location</b>	<b>page</b>
Battery Housing, 115 & 230 Volt	C8	5
Battery Housing, 24 Volt	C10	7
Brush Drive	D1	11
Control Handle	C4	1
Squeegee & Rear Wheels	C12	9
Tanks	C6	3
Wiring Diagram, 115 Volt	D3	13
Wiring Diagram, 230 Volt	D5	15
Wiring Diagram, 24 Volt	D4	14



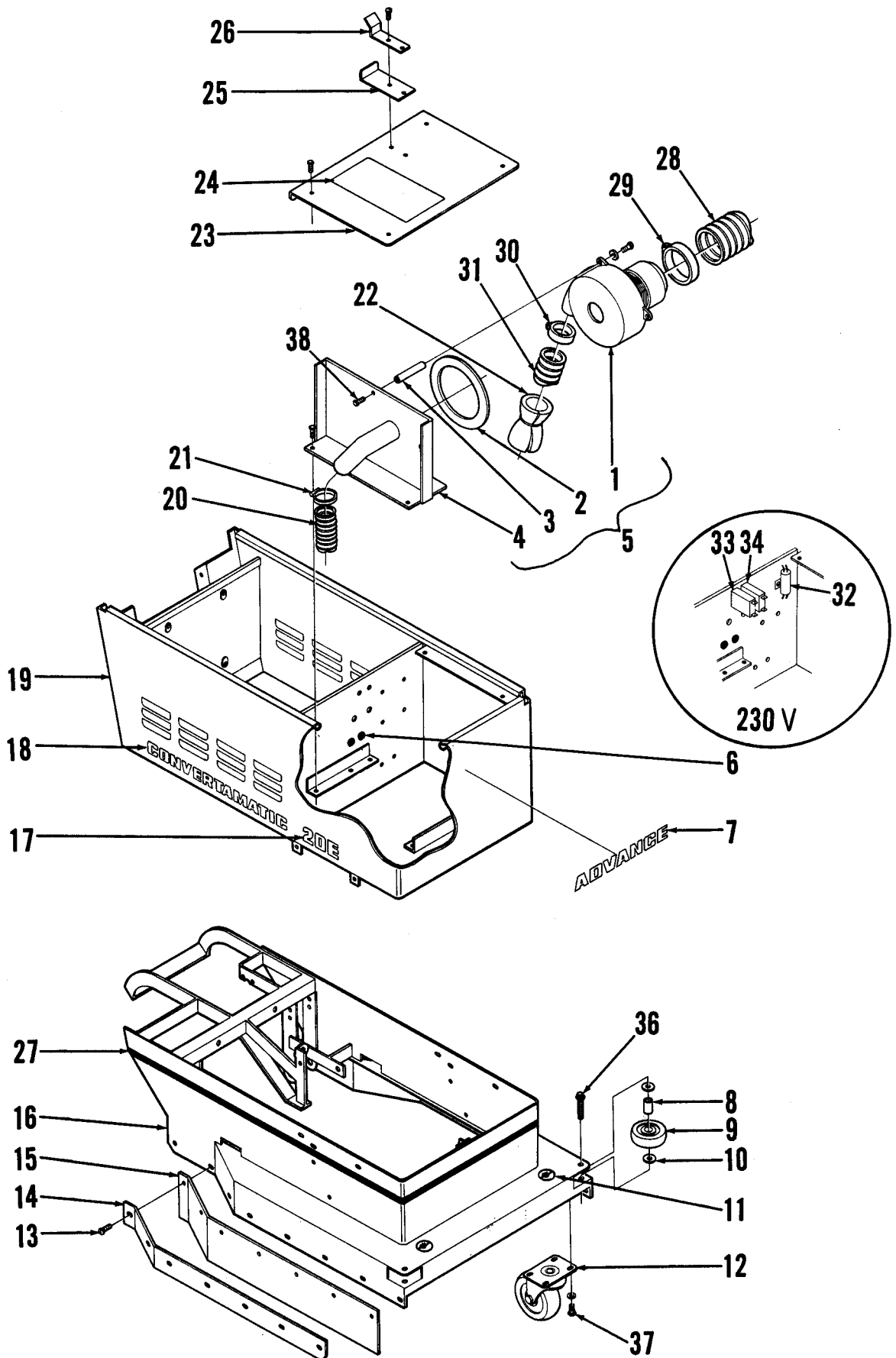
# HANDLE ASSEMBLY

Item	Part No.	Qty	Description	Item	Part No.	Qty	Description
4	514085	2	Grip	50	386021	1	Handle 115V
	900248	2	Grip 230V		386096	1	Handle 230V
5	016334	1	Decal, Solution Valve	51	014428	1	Decal, Control Panel
6	385344	1	Lever	53	358560	1	Spring
7	014119	1	Decal, Ground 115V	54	384909	1	Wire Rope
8	328064	2	Clamp	55	385272	1	Strap
9	385356	1	Bushing	56	471220	1	Bushing
10	385358	3	Washer	57	200972	1	Bearing
11	385900	1	Pedal	58	388019	2	Switch
12	016281	1	Decal, Raise Brush	59	376015	2	Nut Plate
13	365081	1	Plate	60	385749	1	Screw
14	365082	1	Pad	61	379298	1	Bushing
15	365083	1	Cup	62	385725	1	Lever
16	385906	1	Pedal Assembly	63	364527	1	Knob
17	398056	1	Spring Washer	64	368938	1	Elbow
18	382086	1	Bushing	65	742173	1	Nipple
19	367214	1	Washer	66	014515	1	Decal, Caution 115V, 230V
23	150142	4	Washer		014601	1	Decal, Caution 24V
24	368997	6	Bushing	67	014030	1	Decal, Caution
25	158771	1	Solution Tube	68	014639	1	Decal, Caution
26	385952	1	Cord Assembly 24V	69	014018	1	Decal, Grade Notice
27	385335	1	Back Panel 115V, 230V	70	200352	1	Switch Guard 230V
	385336	1	Back Panel Assembly 24V	71	183523	1	Terminal Block 230V
28	054192	1	Decal, Charger 24V	72		2	1/4-20 x 3/4 Screw
29	385450	1	Arm	73		1	1/2-13 x 1-1/2 Screw
30	368903	1	Valve	74		2	1/2 Washer
31	369632	1	Elbow	75		1	1/2 Nut
32	155640	1	Barb	76		1	1/4-20 x 1 Screw
33	386109	1	Filter Assembly	77		2	4-40 x 2 Screw
	386108	1	Screen (for Filter Assembly)				
34	386088	1	Valve Assembly				
35	756364	1	Hose Clamp				
36	386082	1	Hose (to Solution Tank)				
37	386087	1	Strap				
38	200441	1	Nut 115V				
	453691	1	Spacer 24V				
39	200433	1	Washer 115V				
40	200340	1	Switch 115V				
	301636	1	Switch 230V				
	207071	1	Switch 24V				
41	300187	1	Belt Clip 115V, 230V				
42	300152	1	Clamp 115V, 230V				
43	330871	1	Power Cord 115V				
	385171	1	Power Cord 230V				
44	016112	1	Decal, Switch 115V				
	014016	1	Decal, Switch 230V				
45	162736	1	Strain Relief 115V				
	183586	1	Strain Relief 230V				
46	385721	1	Tube				
47	329098	2	Bearing				
48	385727	1	Lever				
49	328790	1	Spring				



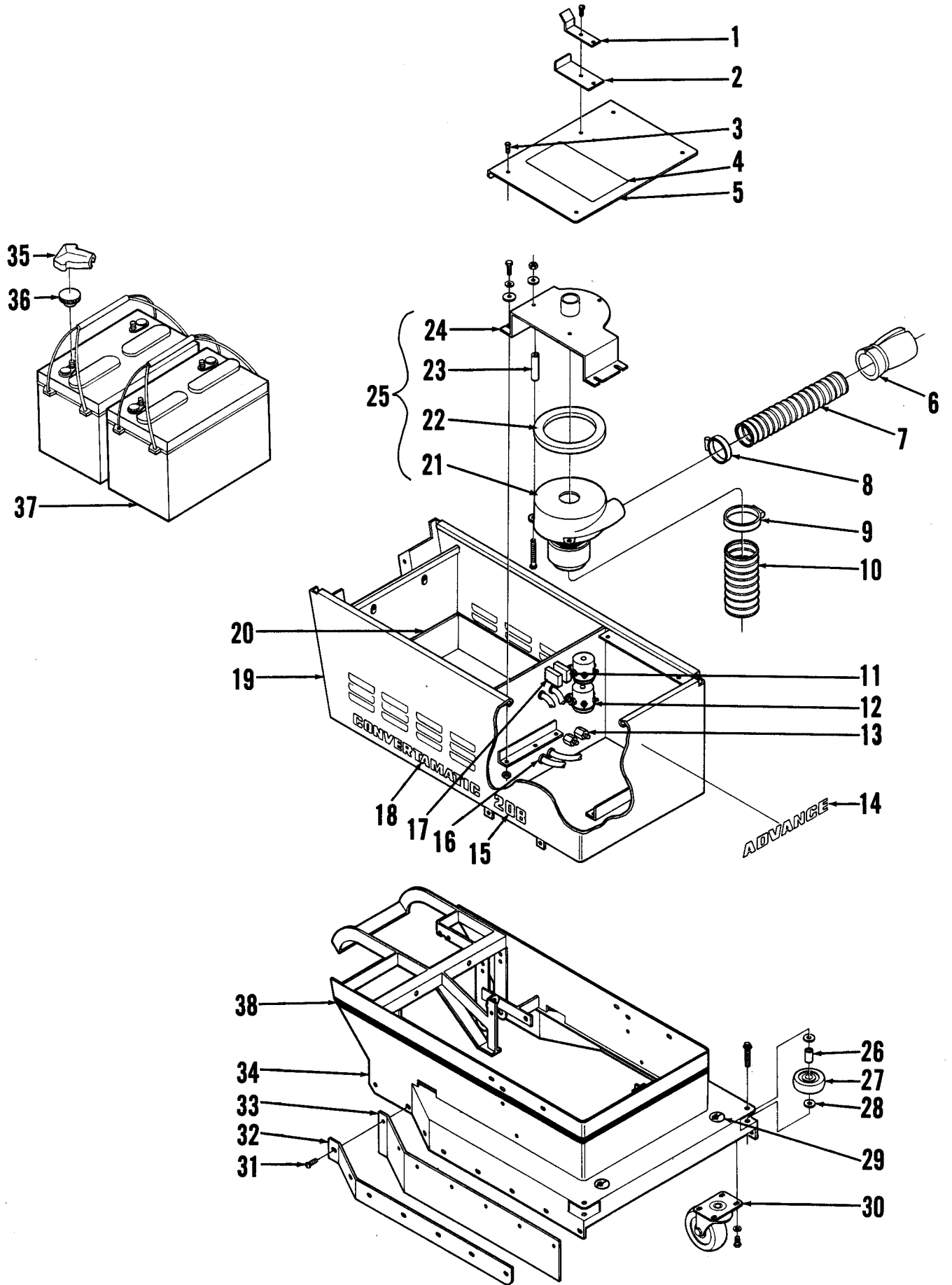
# TANK ASSEMBLIES

Item	Part No.	Qty	Description	Item	Part No.	Qty	Description
	386009	1	Solution Tank Assy (#1-14)	Items 48-54 are for new style recovery tank, item #47			
	386010	1	Recovery Tank Assy (#15-31)	47	386178	1	Recovery Tank (rear drain, new style)
1	386062	1	Cover Assembly				
2	014517	1	Decal, Important	48	385352	1	Float
3	386012	1	Solution Tank	49	002491	2	1/4-20 Lock Nut
4	023308	1	Emblem	50	456068	2	Sealing Washer
5	368725	1	Filter Assembly	51	002957	2	1/4-20 x .75 Screw
6	368776	1	Washer	52	002098	4	Washer
7	014433	1	Front Stripe	53	001861	4	1/4-20 x .38 Screw
8	014432	1	Right Stripe	54	261378	1	Strap
	014430	1	Left Stripe (Not Shown)				
9	386052	1	Panel				
10	325240	1	Wire Rope				
11	386051	1	Latch				
12	014442	1	Decal, Lift Latch				
13	219932	1	Hose Clamp				
14	386082	1	Solution Tube				
15	260098	1	Plug				
16	376942	1	Clip				
17	209992	1	Chain				
18	261297	1	Tube				
19	376944	1	Clip				
20	386035	1	Drain Hose				
21	329145	2	Hose Clamp				
22	386033	1	Plate				
23	014431	1	Right Stripe				
	014429	1	Left Stripe (Not Shown)				
24	386014	1	Recovery Tank (front drain, old style)				
25	321125	2	Retaining Ring				
26	385352	1	Float				
27	454626	2	Washer				
28	386074	1	Lever				
29	386029	1	Vacuum/Recovery Tube				
30	386034	1	Gasket				
31	386078	1	Baffle				
32	386058	1	Hitch				
33	386055	1	Panel				
34	386061	1	Cover Assembly <b>TSB 531 - G12</b>				
35	900188	6	1/4-20 x 1 Screw				
36	386059	1	Gasket				
37	386161	2	Gasket				
38	386064	1	Hose Bracket				
39	404800	2	Spring				
40		2	10-24 Nut				
41	386060	1	Hose (to Squeegee)				
42	386081	1	Hose (to Vacuum Motor)				
43	329145	3	Hose Clamp				
44		2	#10 Washer				
45		2	10-24 x 3/4 Screw				
46	151092	2	Bushing				



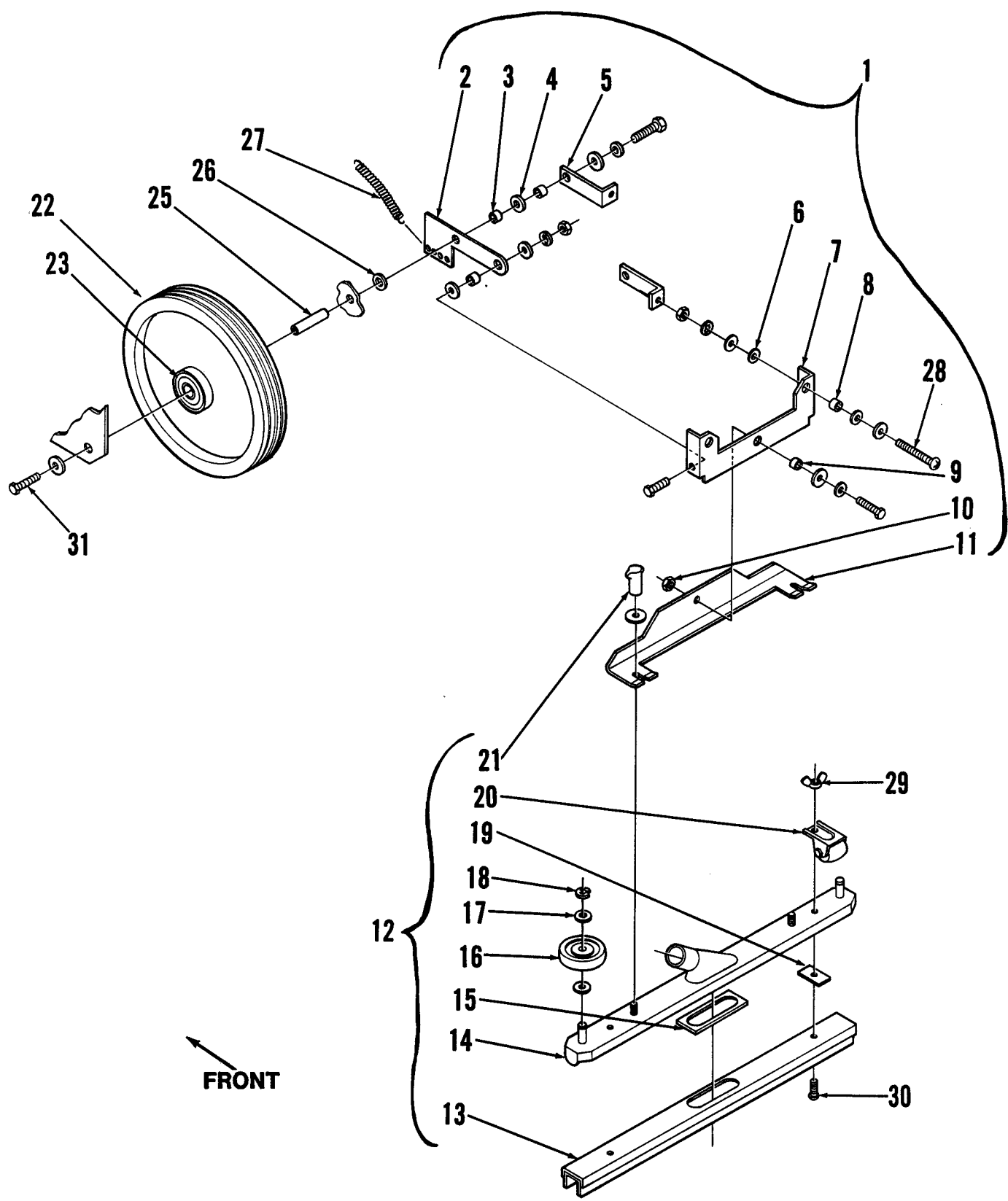
## 230V, 115V HOUSING

Item	Part No.	Qty	Description
1	385587	1	Vacuum Motor 115V
	323097	1	Carbon Brush Set for 385587
	385609	1	Vacuum Motor 230V
	503021	1	Carbon Brush Set for 385609
2	385437	1	Gasket
3	385591	3	Stand-Off 115V
	385130	3	Stand-Off 230V
4	386048	1	Motor Mount
5	386068	1	Vacuum Motor Assembly 115V
	386083	1	Vacuum Motor Assembly 230V
6	900041	2	Plug Cap
7	014046	1	Decal, Advance
8	360139	2	Bushing
9	363855	2	Wheel
10	371009	4	Washer
11	030080	2	Decal, Hands Clear
12	206725	2	Caster
13	384929	14	#10-24 x 1/2 Screw
14	382896	1	Right Strap
	382893	1	Left Strap (Not Shown)
15	382019	2	Skirt
16	386036	1	Chassis
17	014436	1	Decal, 20E
18	014434	1	Decal, Convertamatic
19	386028	1	Housing
20	386081	1	Vacuum Hose (to Recovery Tank)
21	329145	1	Hose Clamp
22	391807	1	Foam
23	386049	1	Cover
24	014490	1	Decal, Wiring 115V
	014032	1	Decal, Wiring 230V
25	386053	1	Plate
26	386054	1	Catch
27	014043	1	Decal, Stripe
28	385211	1	Hose
29	352829	1	Hose Clamp
30	440213	1	Hose Clamp
31	385599	1	Hose
32	387426	1	RFI Filter 230V
33	168444	1	Circuit Breaker 8 Amp
34	329177	1	Circuit Breaker 6 Amp
36		2	10-24 x 1-1/2 Screw
37		8	10-24 x 1 Screw
38		6	3/8-16 x 1 Screw



## 24V HOUSING

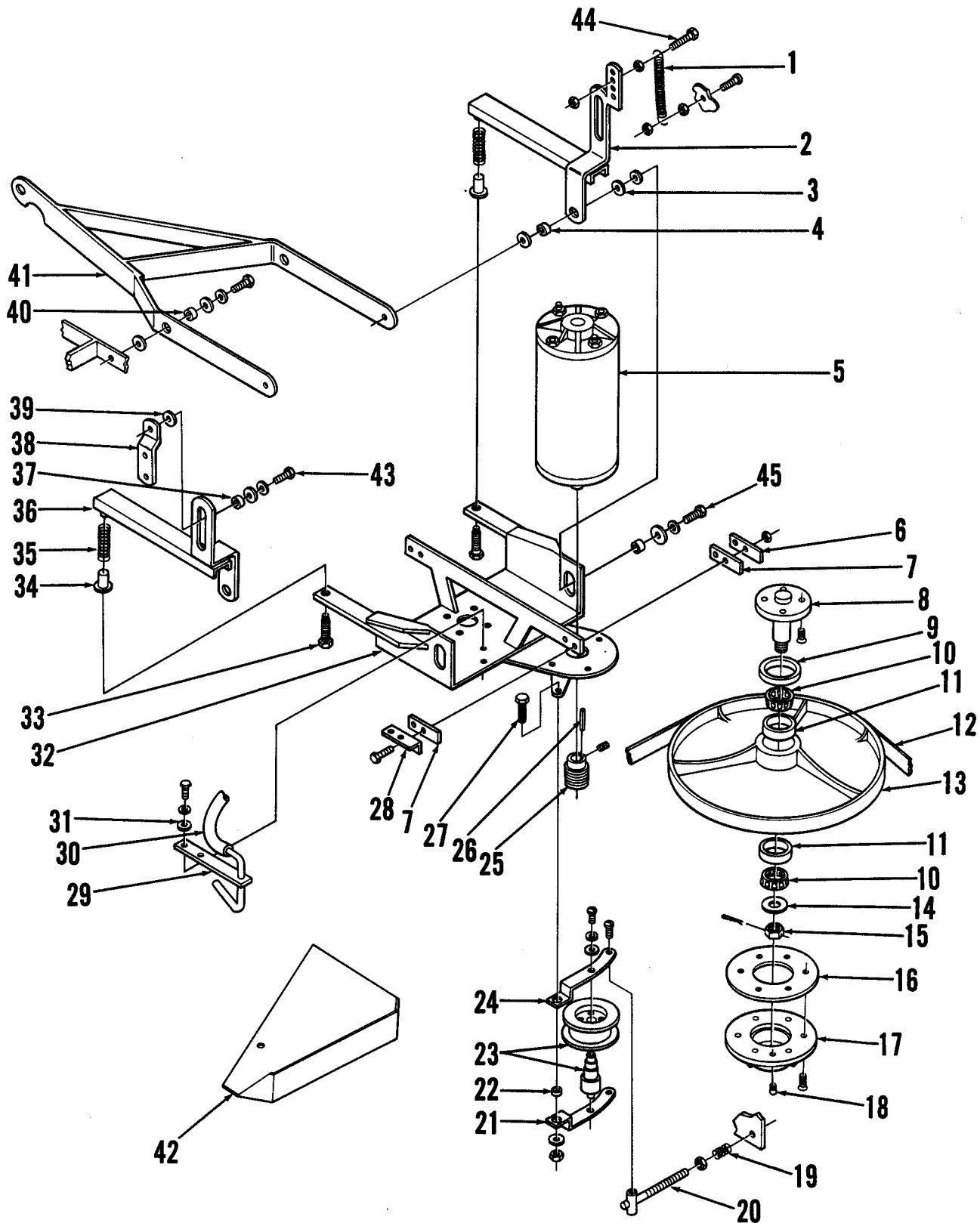
Item	Part No.	Qty	Description
1	386054	1	Catch
2	386055	1	Plate
3		4	Screw
4	014182	1	Decal, Wiring 24V
5	386049	1	Cover
6	391807	1	Foam
7	385599	1	Hose
8	440213	1	Hose Clamp
9	352829	1	Hose Clamp
10	385211	1	Hose
11	454423	1	Circuit Breaker 30A
12	468358	2	Solenoid
13	469858	2	Stand-Off
14	014046	1	Decal, Advance
15	014491	1	Decal, 20B
	014512	1	Decal, 17B
16	382818	4	Strain Relief
17	395454	1	Circuit Breaker 20A
18	014434	1	Decal, Convertamatic
19	386028	1	Housing
20	385531	1	Battery Tray
21	372505	1	Vacuum Motor 24V
	503003	1	Carbon Brush Set for 372505
22	385437	1	Gasket
23	385130	3	Stand-Off
24	386091	1	Motor Mount
25	386093	1	Vacuum Motor Assembly
26	360139	2	Bushing
27	363855	2	Wheel
28	371009	4	Washer
29	030080	2	Decal, Hands Clear
30	206725	2	Caster 20"
	385070	2	Caster 17"
31	384829	14	Screw
32	382896	1	Right Strap 20"
	385656	1	Right Strap 17"
	382893	1	Left Strap 20"
	385654	1	Left Strap 17"
33	382019	2	Guard
34	386036	1	Chassis 20"
	386238	1	Chassis 17"
35	372673	4	Boot
36	386222	4	Knob
37	206962	2	Battery (Not Included)
38	014043	1	Decal, Stripe



## SQUEEGEE AND MOUNT

Item	Part No.	Qty	Description
1	381812	1	Squeegee Mount Assembly
2	381840	2	Pivot Arm
3	368997	6	Bushing
4	150142	12	Washer
5	381845	2	Adjusting Arm
6	163880	4	Spring Washer
7	381816	1	Bracket
8	206784	2	Bushing
9	381818	1	Bushing
10	469021	1	Nut
11	381814	1	Squeegee Mount
12	382350	1	Squeegee Assembly, 20"
	385025	1	Squeegee Assembly, 17"
13	382356	1	Squeegee Cartridge, 20" <b>TSB 590 - G9</b>
	385032	1	Squeegee Cartridge, 17" <b>TSB 590 - G9</b>
14	382352	1	Channel
15	400613	1	Gasket
16	363855	2	Wheel
17	371009	4	Washer
18	157060	2	Retaining Ring
19	400614	2	Gasket
20	387376	2	Roller
21	370711	2	Thumb Nut
22	377945	2	Wheel Assembly
23	362352	4	Ball Bearing
25	382035	2	Axle
26	151114	6	Washer
27	370355	2	Spring
28		2	1/4-20 x 2 Screw
29		2	1/4-20 Wing Nut
30		2	1/4-20 x 3/4 Screw
31		4	1/4-20 x 1/2 Screw

FRONT

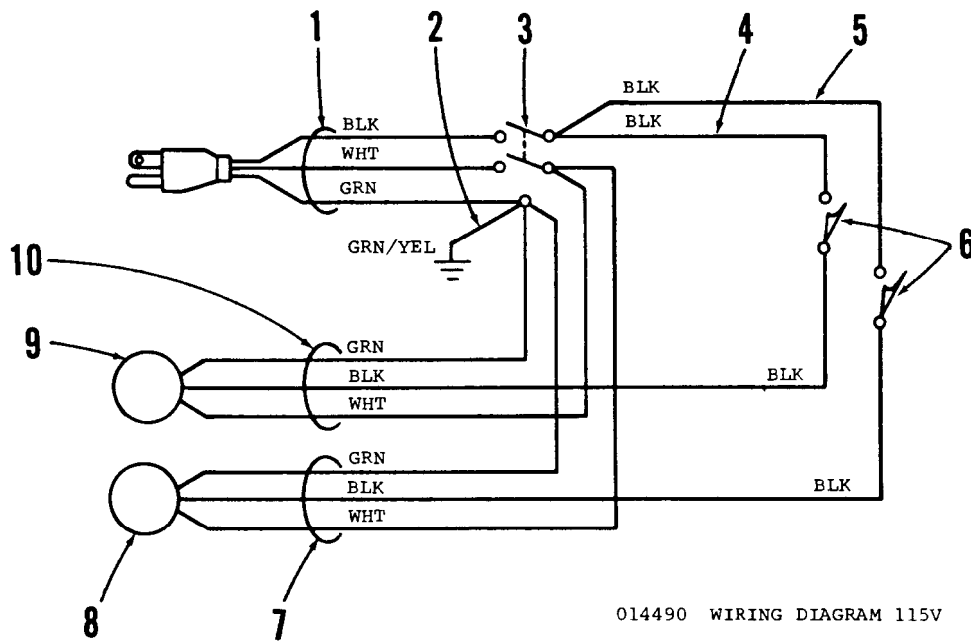


## BRUSH DRIVE

Item	Part No.	Qty	Description	Part No.	Qty	Description
1	398606	1	Spring			Optional Brushes:
2	385893	1	Bracket	505331	1	Prolene Brush, 17"
3	398056	2	Spring Washer	505450	1	Prolene Brush, 20"
4	382086	4	Bushing	385006	1	Nylon Scrub Brush, 17"
5	385630	1	Motor 115V	505334	1	Union Mix Polish Brush, 17"
	386261	1	Motor 24V	505454	1	Union Mix Polish Brush, 20"
	386263	1	Carbon Brush Set for 386261	505330	1	Short Trim Pad Holder, 17"
	387009	1	Motor 230V	171335	1	Short Trim Pad Holder, 20"
6	386160	3	Plate			
7	386105	4	Wear Strip			
8	171056	1	Shaft			
9	171078	1	Seal			
10	378267	2	Bearing Cone			
11	378259	2	Bearing Cup			
12	171200	1	Belt			
13	171376	1	Pulley			
14	163449	1	Washer			
15	158313	1	Nut			
16	158275	1	Gasket			
17	163430	1	Drive Cap			
18	361321	1	Bullet Catch			
19	171271	1	Spring			
20	386273	1	Linkage			
21	386284	1	Bottom Bracket			
22	206784	1	Bushing			
23	171437	1	Idler Assembly			
24	386282	1	Top Bracket			
25	171088	1	Sheave			
26	443719	1	Key			
27	440329	1	Screw			
28	382984	1	Bracket			
29	385776	1	Pipe			
30	158771	1	Solution Tube			
31	151114	2	Washer			
32	385662	1	Motor Mount 115V, 230V			
	385914	1	Motor Mount 24V			
33	386213	2	Adjusting Screw			
34	386216	2	Guide Bushing			
35	372129	2	Spring			
36	385890	1	Bracket			
37	365030	2	Bushing			
38	386228	2	Bracket			
39	367214	14	Washer			
40	360627	2	Bushing			
41	382968	1	Arm			
42	385141	1	Belt Guard			
43		2	1/2-13 x 1-1/2 Screw			
44		1	1/4-20 x 1 Screw			
45		2	1/2-13 x 1-1/2 Screw			

# WIRING DIAGRAM 115V

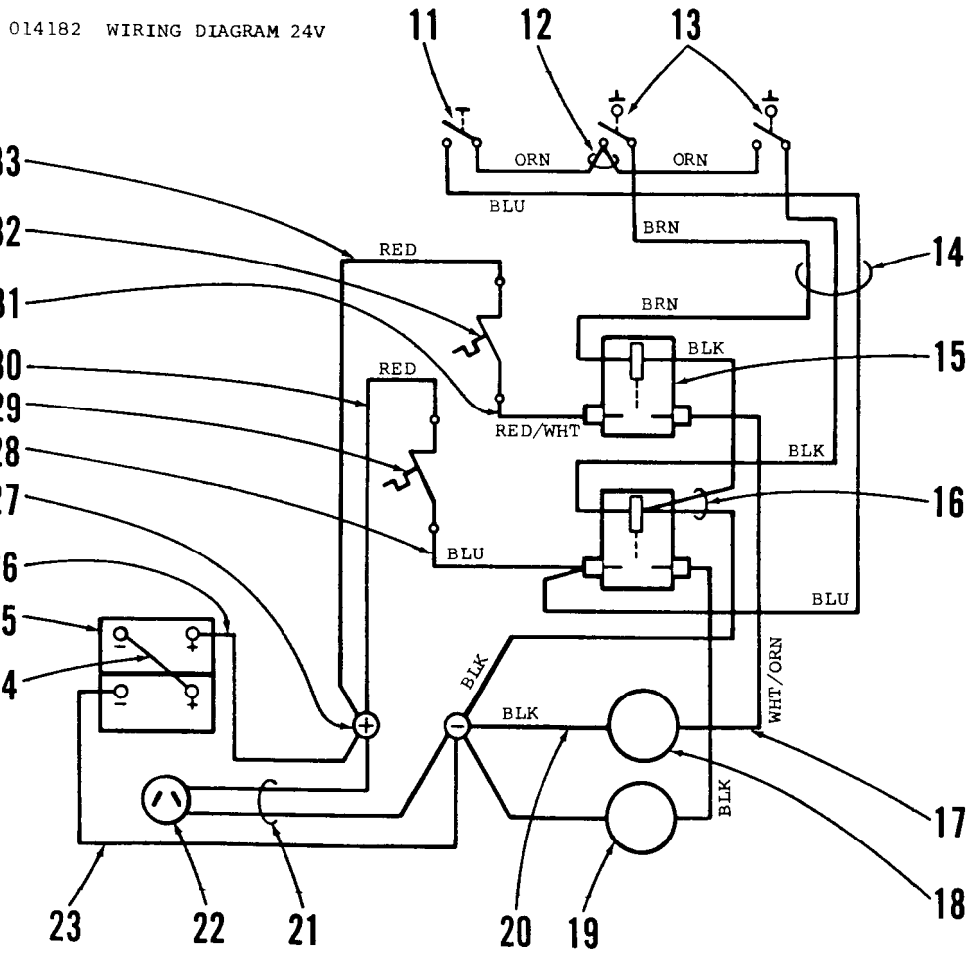
Item	Part No.	Qty	Description
1	330871	1	Power Cord
2	385754	1	Wire Assembly
3	200340	1	Switch
4	385958	1	Wire Assembly
5	468314	1	Wire Assembly
6	388019	2	Switch
7	385577	1	Cord Assembly
8	385630	1	Brush Motor
9	385587	1	Vacuum Motor
10	385573	1	Cord Assembly



014490 WIRING DIAGRAM 115V

# WIRING DIAGRAM 24V

Item	Part No.	Qty	Description	Item	Part No.	Qty	Description
11	207071	1	Switch	23	386212	1	Battery Cable
12	385208	1	Wire Assembly	24	454552	1	Battery Cable
13	388019	2	Switch	25	206962	2	Battery (Not Included)
14	385165	1	Cord Assembly	26	386215	1	Battery Cable
15	468358	2	Solenoid	27	469858	2	Stand-Off
16	385154	1	Wire Assembly	28	385159	1	Wire Assembly
17	385157	1	Wire Assembly	29	395454	1	Circuit Breaker 20A
18	386261	1	Brush Motor	30	385163	1	Wire Assembly
19	372505	1	Vacuum Motor	31	385158	1	Wire Assembly
20	385156	1	Wire Assembly	32	454423	1	Circuit Breaker 30A
21	385952	1	Cord Assembly	33	385161	1	Wire Assembly
22	386119	1	Charger Receptacle				



## WIRING DIAGRAM 230V

Item	Part No.	Qty	Description
X	183523	1	Terminal Block
S3	301636	1	Main Switch
S1	388019	1	Vacuum Motor Switch
F1	329177	1	6 Amp Circuit Breaker
C1	387426	1	RFI Filter
M1	385609	1	Vacuum Motor
C2		1	Capacitor
S2	388019	1	Brush Motor Switch
F2	168444	1	8 Amp Circuit Breaker
M2	387009	1	Brush Motor

